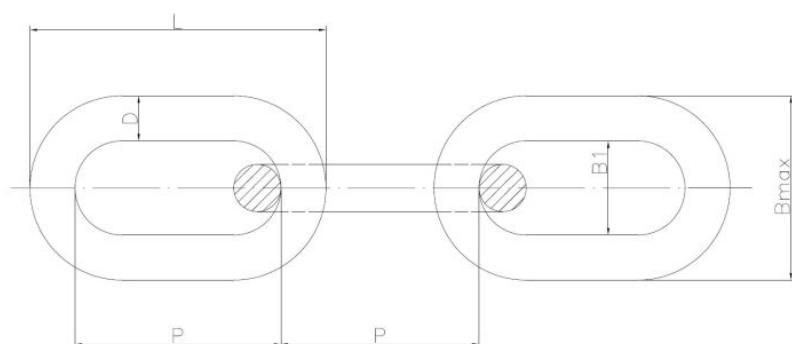


Padengimo tipas:



Matmenys

Material index	D [mm]	L [mm]	P [mm]	B1 [mm]	Bmax [mm]	Obciążenie znamionowe [kg]	Obciążenie zrywające [kg]
63050150C5685M	1.5	15.5	12.5	2.5	7.0	10	40
63050200C5685M	2.0	16.0	12.0	2.5	7.5	20	80
63050300C5685M	3.0	22.0	16.0	4.0	11.5	40	160
6305040G766M	4.0	27.0	16.0	5.5	15.0	200	800
63050400C5685M	4.0	27.0	19.0	5.5	15.0	80	320
63050400C766M	4.0	27.0	16.0	5.5	15.0	200	800
6305050G766M	5.0	31.0	18.5	7.0	19.0	320	1250
63050500C5685M	5.0	31.0	21.0	7.0	19.0	125	500
63050500C766M	5.0	31.0	18.5	7.0	19.0	320	1250
6305060G766M	6.0	36.0	18.5	8.0	23.0	400	1600
63050600C5685M	6.0	36.0	24.0	8.0	23.0	160	640
63050600C766M	6.0	36.0	18.5	8.0	23.0	400	1600
6305070G766M	7.0	42.0	22.0	9.5	26.0	630	2500
63050700C766M	7.0	42.0	22.0	9.5	26.0	630	2500
6305080G766M	8.0	41.0	24.0	11.0	30.0	800	3200
63050800C5685M	8.0	48.0	32.0	11.0	30.0	320	1280
63050800C766M	8.0	41.0	24.0	11.0	30.0	800	3200
6305090G766M	9.0	46,2	27.0	10.8	30.6	1000	4000

<b>Material index</b>	<b>D [mm]</b>	<b>L [mm]</b>	<b>P [mm]</b>	<b>B1 [mm]</b>	<b>Bmax [mm]</b>	<b>Obciążenie znamionowe [kg]</b>	<b>Obciążenie zrywające [kg]</b>
6305100G766M	10.0	60.0	28.0	14.0	38.0	1250	5000
6305100OC5685M	10.0	60.0	40.0	14.0	38.0	500	2000
6305100OC766M	10.0	60.0	28.0	14.0	38.0	1250	5000
6305110G766M	11.0	53,8	31.0	13.2	37.4	1600	6400
6305130G766M	13.0	63.6	36.0	12.0	47.0	2000	8000
6305130OC766M	13.0	63.6	36.0	12.0	36.0	2000	8000