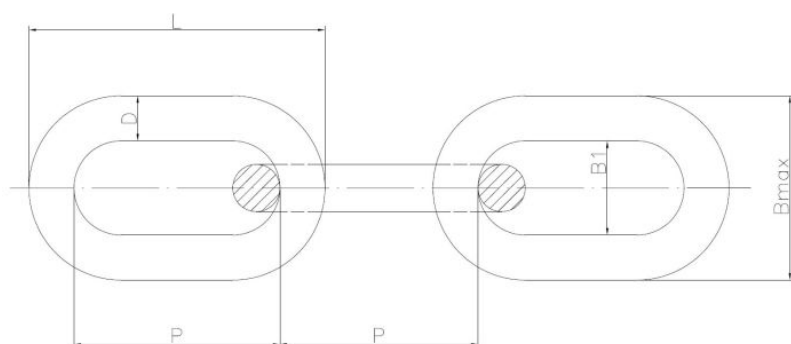


Padengimo tipas:



Matmenys

Material index	D [mm]	L [mm]	P [mm]	B1 [mm]	Bmax [mm]	Obciążenie znamionowe [kg]	Obciążenie zrywające [kg]
6305050G766M	5.0	31.0	18.5	7.0	19.0	320	1250
6305050OC766M	5.0	31.0	18.5	7.0	19.0	320	1250
6305080OC5685M	8.0	48.0	32.0	11.0	30.0	320	1280
6305030OC5685M	3.0	22.0	16.0	4.0	11.5	40	160
6305060G766M	6.0	36.0	18.5	8.0	23.0	400	1600
6305060OC766M	6.0	36.0	18.5	8.0	23.0	400	1600
6305100OC5685M	10.0	60.0	40.0	14.0	38.0	500	2000
6305070G766M	7.0	42.0	22.0	9.5	26.0	630	2500
6305070OC766M	7.0	42.0	22.0	9.5	26.0	630	2500
6305040OC5685M	4.0	27.0	19.0	5.5	15.0	80	320
6305080G766M	8.0	41.0	24.0	11.0	30.0	800	3200
6305080OC766M	8.0	41.0	24.0	11.0	30.0	800	3200
6305015OC5685M	1.5	15.5	12.5	2.5	7.0	10	40
6305090G766M	9.0	46,2	27.0	10.8	30.6	1000	4000
6305050OC5685M	5.0	31.0	21.0	7.0	19.0	125	500
6305100OC766M	10.0	60.0	28.0	14.0	38.0	1250	5000
6305100G766M	10.0	60.0	28.0	14.0	38.0	1250	5000
6305060OC5685M	6.0	36.0	24.0	8.0	23.0	160	640

Material index	D [mm]	L [mm]	P [mm]	B1 [mm]	Bmax [mm]	Obciążenie znamionowe [kg]	Obciążenie zrywające [kg]
6305110G766M	11.0	53,8	31.0	13.2	37.4	1600	6400
6305020OC5685M	2.0	16.0	12.0	2.5	7.5	20	80
6305040G766M	4.0	27.0	16.0	5.5	15.0	200	800
6305040OC766M	4.0	27.0	16.0	5.5	15.0	200	800
6305130OC766M	13.0	63.6	36.0	12.0	36.0	2000	8000
6305130G766M	13.0	63.6	36.0	12.0	47.0	2000	8000