

52.67
MPX
12

Savisriegis bimetalinis MPX 12

UŽKLAUSIMAS

+370 5 23 06 183

Standartai:

ETA-18/0371



CR

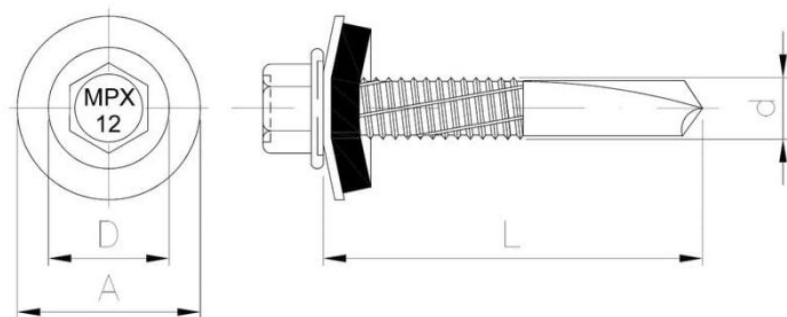
KERAMINE
DANGA
SIDABRO
SPALVOS

BI METAL



Padengimo tipas:

Materia?:



Matmenys

Material index	d [mm]	L [mm]	A [mm]	D [mm]	Medžiagos	Padengimo tipas
5267055040XH05T	5.5	40	-	11	Bi-Metal	Silver Ruspert
5267055040I14XH05T	5.5	40	14	11	Bi-Metal	Silver Ruspert
5267055040I16XH05T	5.5	40	16	11	Bi-Metal	Silver Ruspert