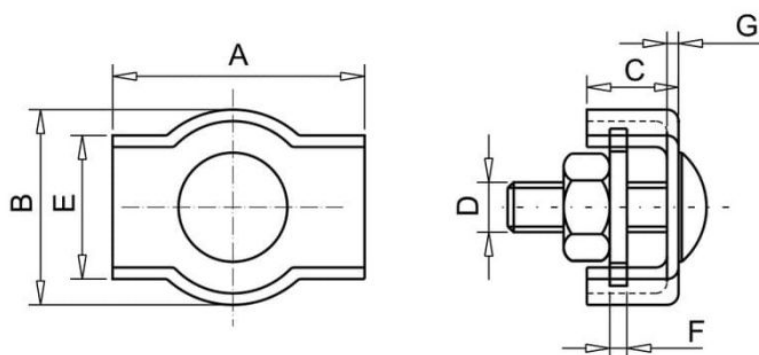




Padengimo tipas:



Matmenys

Material index	Tipas	A [mm]	B [mm]	C [mm]	D [mm]	E [mm]	F [mm]	G [mm]
6316006S	6	30	24	9	M6	15	1.5	1.5
6316005S	5	24	23	8	M5	14	1.5	1.5
6316004S	4	21	19	7	M5	13	1.5	1.5
6316003S	3	18	15	6	M4	10	1.2	1.2
6316002S	2	15	13	4.5	M4	8	1.2	1.2