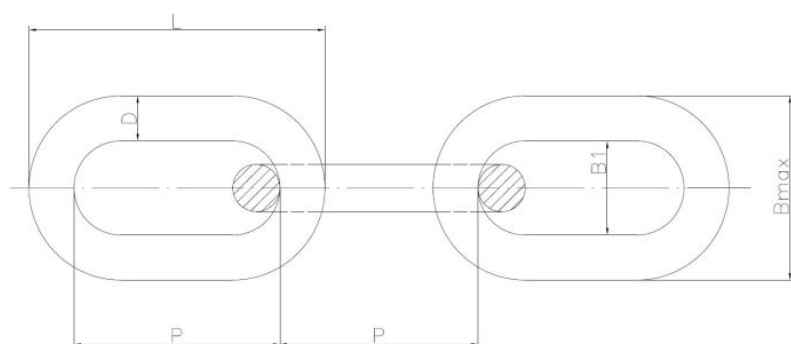


Padengimo tipas:



Matmenys

| Material index | D [mm] | L [mm] | P [mm] | B1 [mm] | Bmax [mm] | Obciążenie znamionowe [kg] | Obciążenie zrywające [kg] |
|----------------|--------|--------|--------|---------|-----------|----------------------------|---------------------------|
| 6305070G766M | 7.0 | 42.0 | 22.0 | 9.5 | 26.0 | 630 | 2500 |
| 6305070OC766M | 7.0 | 42.0 | 22.0 | 9.5 | 26.0 | 630 | 2500 |
| 6305060G766M | 6.0 | 36.0 | 18.5 | 8.0 | 23.0 | 400 | 1600 |
| 6305060OC766M | 6.0 | 36.0 | 18.5 | 8.0 | 23.0 | 400 | 1600 |
| 6305060OC5685M | 6.0 | 36.0 | 24.0 | 8.0 | 23.0 | 160 | 640 |
| 6305050G766M | 5.0 | 31.0 | 18.5 | 7.0 | 19.0 | 320 | 1250 |
| 6305050OC766M | 5.0 | 31.0 | 18.5 | 7.0 | 19.0 | 320 | 1250 |
| 6305050OC5685M | 5.0 | 31.0 | 21.0 | 7.0 | 19.0 | 125 | 500 |
| 6305040OC5685M | 4.0 | 27.0 | 19.0 | 5.5 | 15.0 | 80 | 320 |
| 6305040G766M | 4.0 | 27.0 | 16.0 | 5.5 | 15.0 | 200 | 800 |
| 6305040OC766M | 4.0 | 27.0 | 16.0 | 5.5 | 15.0 | 200 | 800 |
| 6305030OC5685M | 3.0 | 22.0 | 16.0 | 4.0 | 11.5 | 40 | 160 |
| 6305015OC5685M | 1.5 | 15.5 | 12.5 | 2.5 | 7.0 | 10 | 40 |
| 6305020OC5685M | 2.0 | 16.0 | 12.0 | 2.5 | 7.5 | 20 | 80 |
| 6305100OC766M | 10.0 | 60.0 | 28.0 | 14.0 | 38.0 | 1250 | 5000 |
| 6305100G766M | 10.0 | 60.0 | 28.0 | 14.0 | 38.0 | 1250 | 5000 |
| 6305100OC5685M | 10.0 | 60.0 | 40.0 | 14.0 | 38.0 | 500 | 2000 |
| 6305110G766M | 11.0 | 53,8 | 31.0 | 13.2 | 37.4 | 1600 | 6400 |

| Material index | D [mm] | L [mm] | P [mm] | B1 [mm] | Bmax [mm] | Obciążenie znamionowe [kg] | Obciążenie zrywające [kg] |
|-----------------------|---------------|---------------|---------------|----------------|------------------|-----------------------------------|----------------------------------|
| 6305130OC766M | 13.0 | 63.6 | 36.0 | 12.0 | 36.0 | 2000 | 8000 |
| 6305130G766M | 13.0 | 63.6 | 36.0 | 12.0 | 47.0 | 2000 | 8000 |
| 6305080OC5685M | 8.0 | 48.0 | 32.0 | 11.0 | 30.0 | 320 | 1280 |
| 6305080G766M | 8.0 | 41.0 | 24.0 | 11.0 | 30.0 | 800 | 3200 |
| 6305080OC766M | 8.0 | 41.0 | 24.0 | 11.0 | 30.0 | 800 | 3200 |
| 6305090G766M | 9.0 | 46,2 | 27.0 | 10.8 | 30.6 | 1000 | 4000 |