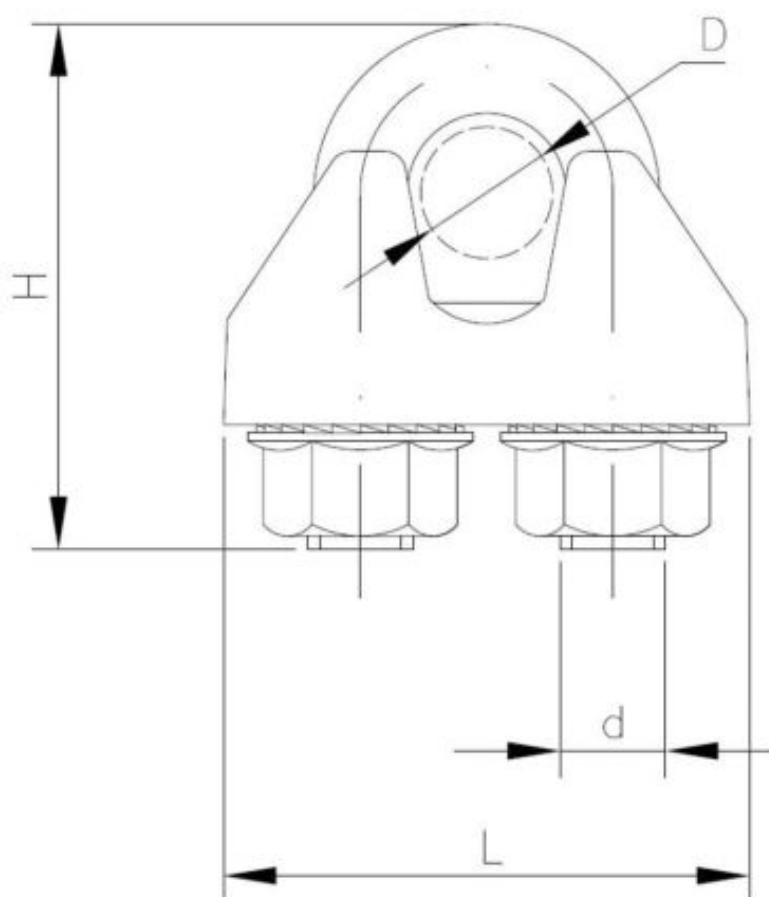


Standartai:

~DIN 741
PN-EN 13411



Materia?:



Matmenys

Material index	Tipas	d	L [mm]	H [mm]	D [mm]
I6315008A4741S	8	M8	30	38	8
I6315006A4741S	6	M6	28	35	6
I6315005A4741S	5	M5	25	27	5
I6315004A4741S	4	M5	21	22	4
I6315003A4741S	3	M3	18	19	3
I6315013A4741S	13	M10	45	56	13