

52.63  
MPX  
5

## Savisriegis bimetalinis MPX 5

UŽKLAUSIMAS

+370 5 23 06 183

Standartai:

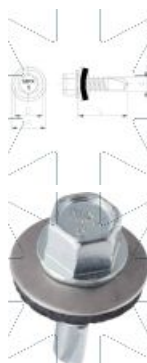
ETA-18/0371



CR

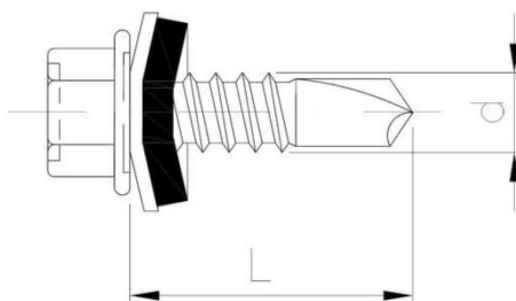
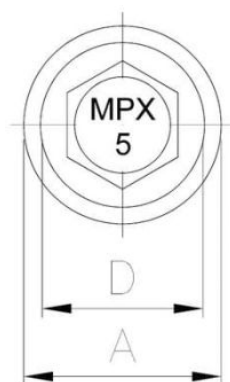
KERAMINE  
DANGA  
SIDABRO  
SPALVOS

BI METAL



Padengimo tipas:

Materia?:



### Matmenys

Material index	d [mm]	L [mm]	D [mm]	A [mm]	Medžiagos	Padengimo tipas
5263055032XH05T	5.5	32	11	-	Bi-Metal	Silver Ruspert
5263055038I16XH05T	5.5	38	11	16	Bi-Metal	Silver Ruspert
5263055050I14XH05T	5.5	50	11	14	Bi-Metal	Silver Ruspert
5263055050XH05T	5.5	50	11	-	Bi-Metal	Silver Ruspert
5263055025I14XH05T	5.5	25	11	14	Bi-Metal	Silver Ruspert
5263055025XH05T	5.5	25	11	-	Bi-Metal	Silver Ruspert
5263055050I16XH05T	5.5	50	11	16	Bi-Metal	Silver Ruspert
5263055032I14XH05T	5.5	32	11	14	Bi-Metal	Silver Ruspert
5263055038I14XH05T	5.5	38	11	14	Bi-Metal	Silver Ruspert
5263055038XH05T	5.5	38	11	-	Bi-Metal	Silver Ruspert
5263055025I16XH05T	5.5	25	11	16	Bi-Metal	Silver Ruspert
5263055032I16XH05T	5.5	32	11	16	Bi-Metal	Silver Ruspert