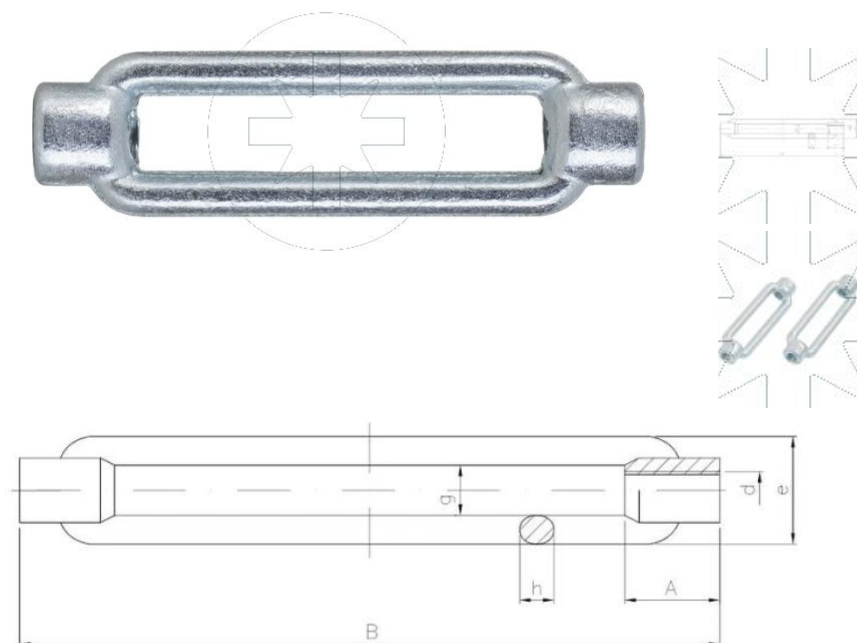


Padengimo tipas:



Matmenys

Material index	d	B [mm]	e [mm]	f [mm]	h [mm]	A [mm]	Nošiõtis na rozciaganie [kN]
6336080B1480ATS	M8	110	23	11	8	15	20.62
6336060B1480ATS	M6	110	19	9	6	12	13.52
6336360B1480ATS	M36	295	86	40	28	53.5	300.74
6336300B1480ATS	M30	255	74	34	23	42.5	273.35
6336270B1480ATS	M27	255	74	34	23	42.5	182.18
6336240B1480ATS	M24	255	60	28	20	39	165.42
6336220B1480ATS	M22	220	56	26	18	34.5	164.60
6336200B1480ATS	M20	200	52	24	17	34	132.33
6336180B1480ATS	M18	196	46	22	16	32	72.55
6336160B1480ATS	M16	170	42	20	14	27	85.37
6336140B1480ATS	M14	140	37	17	12	25	63.96
6336120B1480ATS	M12	125	34	16	11	21	44.96
6336100B1480ATS	M10	125	29	14	9	18	31.84