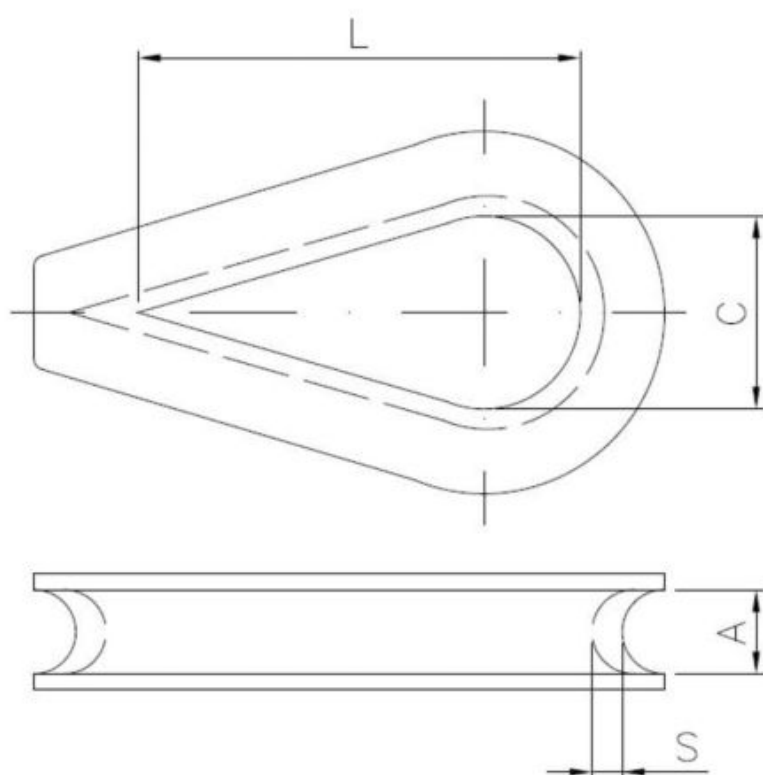


Padengimo tipas:



Matmenys

Material index	Tipas	C [mm]	L [mm]	A [mm]	s [mm]
6325018S	18	40.5	63.5	21	4.0
6325020S	20	44.5	72.5	23.5	4.0
6325016S	16	40.5	63.5	18.5	4.0
6325014S	14	35.5	59.0	16	3.0
6325012S	12	28.0	44.5	13	3.0
6325008S	8	20.5	31.5	9.5	2.0
6325010S	10	25.0	38.0	11	2.0
6325006S	6	16.0	24.5	7.5	2.0
6325004S	4	13.3	20.0	4.8	1.7
6325003S	3	12.5	19.0	3.7	1.7

Material index	Tipas	C [mm]	L [mm]	A [mm]	s [mm]
6325005S	5	14.5	23.0	6	1.7