

I24.01 Kniedė A2/A2, plokščia galva

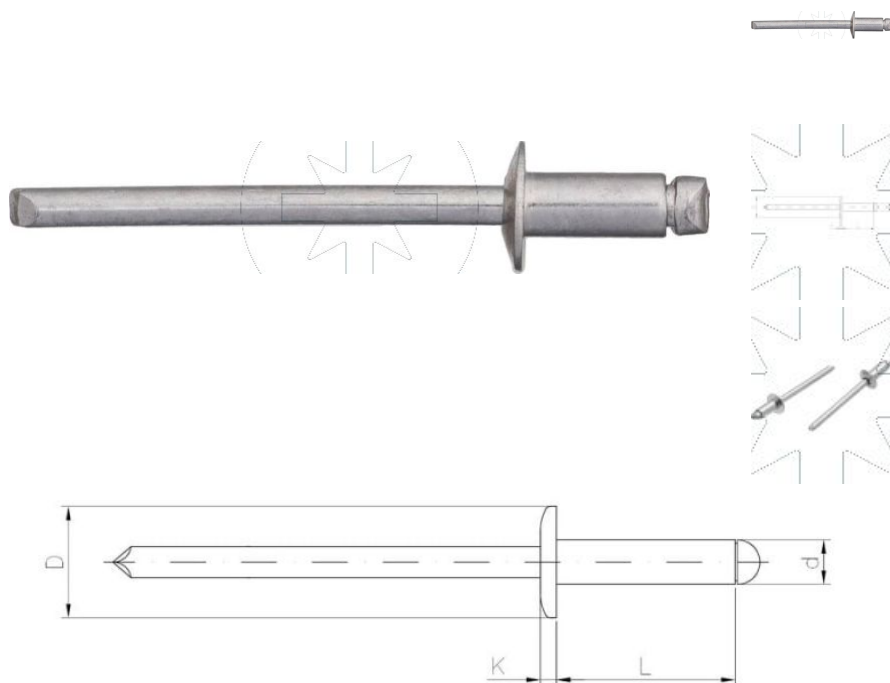
UŽKLAUSIMAS

+370 5 23 06 183

Standartai:

ISO 15983

A2



Matmenys

Material index	d [mm]	L [mm]	D [mm]	k [mm]	s [mm]
I2401032100A2T	3.2	10	6.5	0.80	5.5-7.0
I2401032120A2T	3.2	12	6.5	0.80	7.0-9.0
I2401040060A2T	4.0	6	8.0	1.0	1.5-3.0
I2401040080A2T	4.0	8	8.0	1.0	3.0-5.0
I2401040100A2T	4.0	10	8.0	1.0	5.0-6.5
I2401040200A2T	4.0	20	8.0	1.0	14.5-16.5
I2401048080A2T	4.8	8	9.5	1.1	3.0-4.5
I2401048100A2T	4.8	10	9.5	1.1	4.5-6.0
I2401048120A2T	4.8	12	9.5	1.1	6.0-8.0
I2401050300A2T	5.0	30	9.5	1.1	20.0-25.0